



PRODUCT DATASHEET

Konntakt series

last update 18/4/2017

DETAILS

Product Number	F15255_HEKLA-SOCKET-C
Family	Konntakt
Type	Base part
Color	white
Diameter	44 mm
Height	5,5 mm
Style	round
Optic Material	
Holder Material	PBT
Fastening	screw
Status	production ready
ROHS Compliant	Yes
Date Updated	18/04/2017



OPTICAL PROPERTIES

LED	Viewing Angle	Light Beam	Efficiency	cd/lm	Connector
CLL02x/CLU02x (LES10)	NA deg		-	-	-

H G F E D C B A

4

3

2

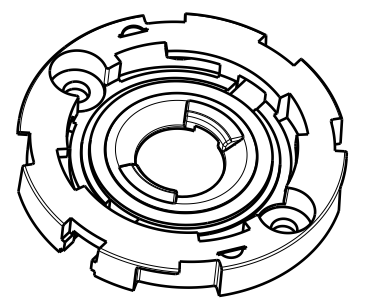
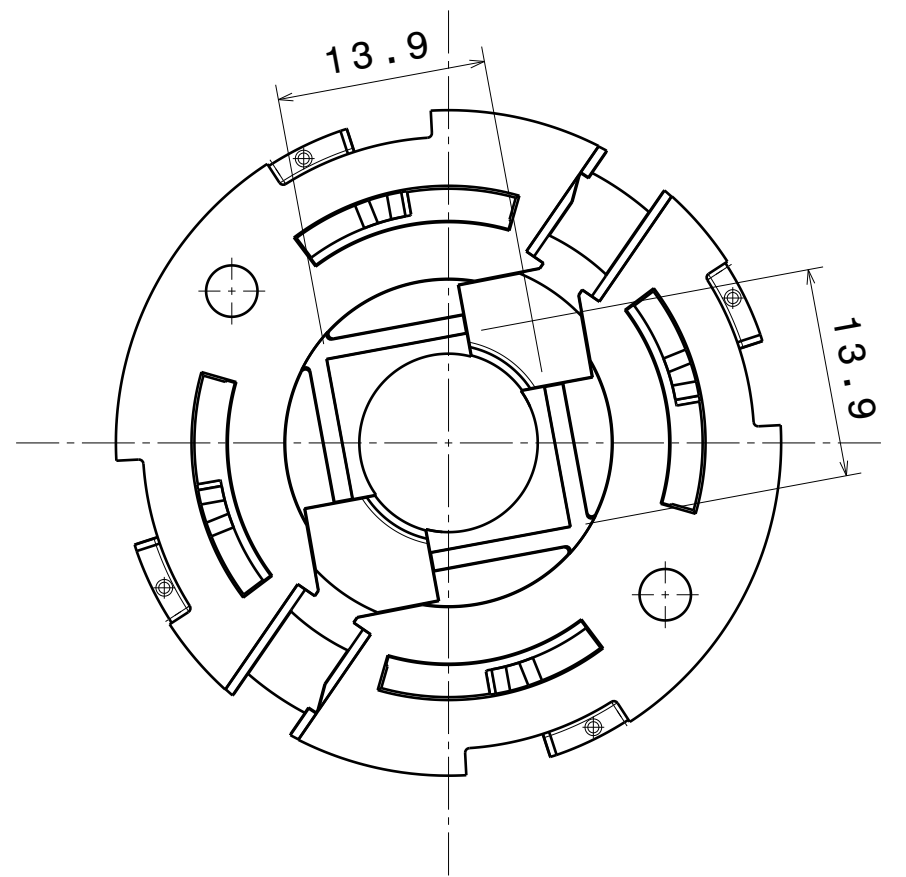
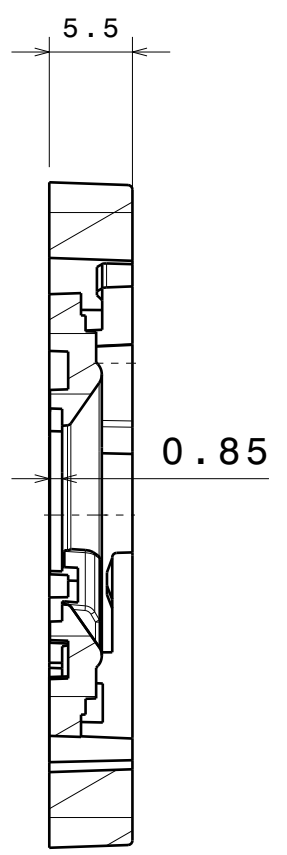
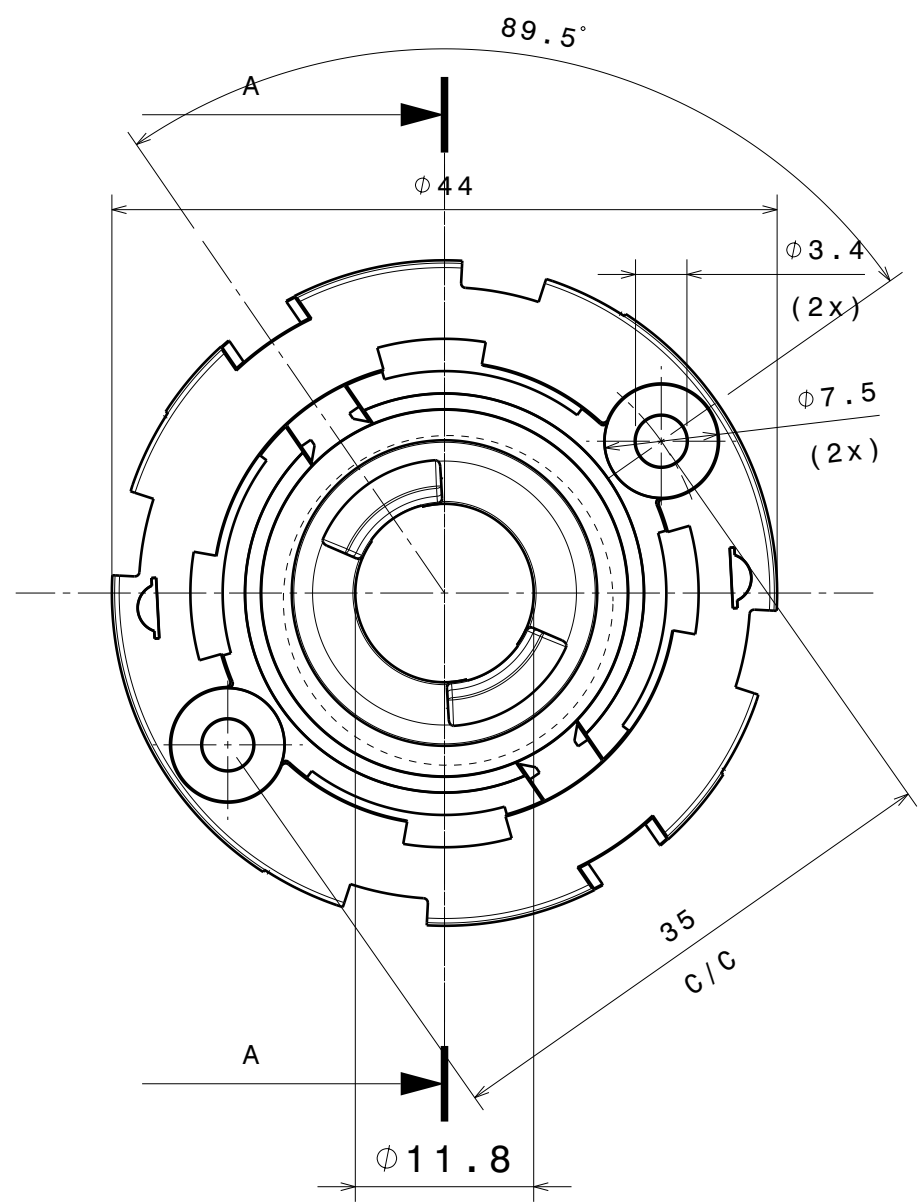
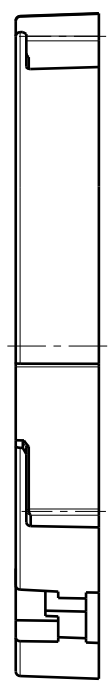
1

4

3

2

1



Isometric view (1:1)

INDEX	PART NO	DESCRIPTION	MATERIAL	COLOUR
1	F15255	SOCKET-C	PBT	White

Tolerances if not otherwise shown
 According to DIN ISO 2768-1
 Linear measures:
 Up to 30mm class M, otherwise class C.
 According to DIN ISO 2768-2
 Form and position: class L

LEDiL LediL Oy
 Salorankatu 10
 FIN 24240 SALO
 Finland

THIRD ANGLE PROJECTION:

DRAWING TITLE
F15255_SOCKET-C Datasheet

This drawing is the property
 of LEDiL Oy. It may not be
 reproduced, copied or
 communicated without a written
 agreement with LEDiL Oy.

SIZE	PART NUMBER
A3	F15255

SCALE	WEIGHT	SHEET
2:1	5,9 g	1/1

H G F E D C B A

NOTE: The typical divergence will be changed by different color, chip size and chip position tolerance. The typical total divergence is the full angle measured where the luminous intensity is half of the peak value.