

10 9 8 7 6 5 4 3 2 1

F

E

D

C

B

A

F

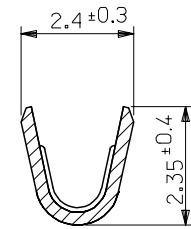
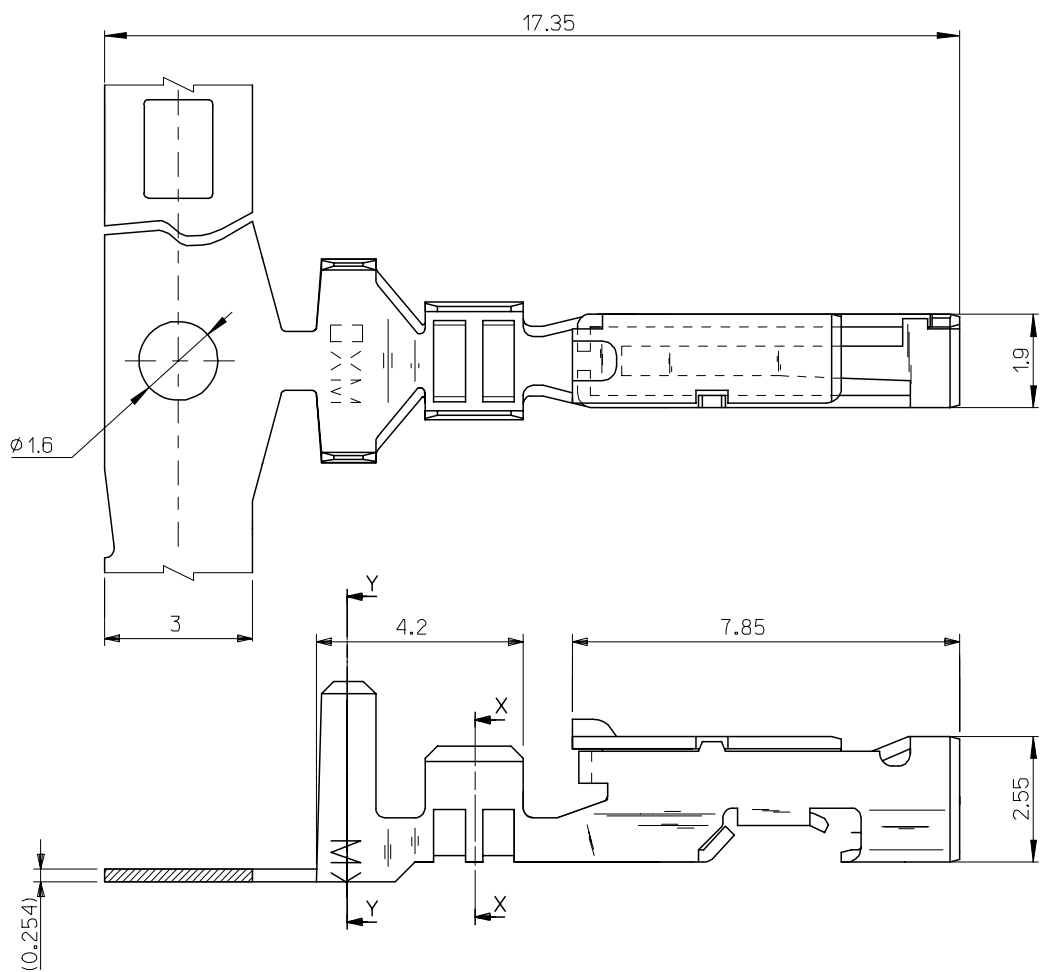
E

D

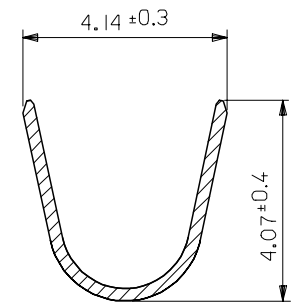
C

B

A



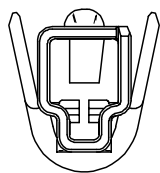
SECTION X-X



SECTION Y-Y

NOTES

1. 使用材料 : 銅合金、錫メッキ  
MATERIAL : PRE-TINNED COPPER ALLOY
2. 適合ハウジング : 501328-\*\*\*\*  
APPLICABLE HS'G : 51347-\*\*\*\*  
51284-\*\*\*\*
3. 適用電線サイズ : AWG#20-18  
心線外径 : 0.51-0.87  
被覆外径 :  $\phi 1.75 - \phi 2.6$



501395-1*00	501395-1100	バラ状 LOOSE
	501395-1000	連鎖状 CHAIN
MODEL NO.	MATERIAL NO.	FORM

RELEASED EC NO: J2005-2177 DRWN: TODA 2005/03/31 CHKD: K.ASAKAWA 2005/03/31 APPR: S.ICHIKAWA 2005/03/31	GENERAL TOLERANCES (UNLESS SPECIFIED)		DIMENSION STYLE	SCALE	DESIGN UNITS	THIRD ANGLE PROJECTION		
			MM ONLY	10:1	METRIC			
	10 UNDER	$\pm 0.2$	DRAWN BY	DATE	TITLE			
	10 OVER 30 UNDER	$\pm 0.25$	T. ODA	'05/02/07	3.3 W/W,W/B CONN. REC. TERMINAL			
	30 OVER	$\pm 0.3$	CHECKED BY	DATE	MOLEX INCORPORATED			
ANGULAR	$\pm 3^\circ$	K. ASAKAWA	'05/02/07	MATERIAL NO.		DOCUMENT NO.	SHEET NO.	
DRAFT WHERE APPLICABLE MUST REMAIN WITHIN DIMENSIONS		S. ICHIKAWA	'05/02/07	SEE CHART		SD-501395-001	1 OF 1	
		SIZE		THIS DRAWING CONTAINS INFORMATION THAT IS PROPRIETARY TO MOLEX INCORPORATED AND SHOULD NOT BE USED WITHOUT WRITTEN PERMISSION				
A		A3						