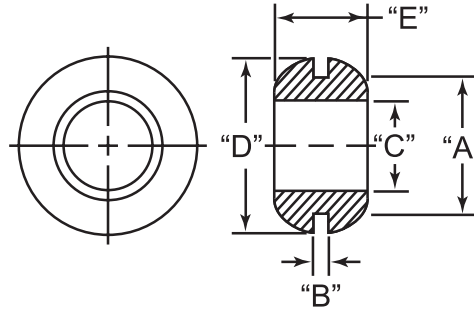


**GRO**  
Flexible PVC Hole Grommet



- Non-staining; resistant to ozone, acids and sunlight
- Excellent aging quality

Material: PVC Color: Black									
Part No.	"A" Panel Hole Ø	"B" Panel Thickness	"C" I.D.	"D" O.D.	"E" Depth	Shore A Hardness	Standard Pack		
GRO018031A	.188 (4.8)	.031 (.8)	.109 (2.8)	.313 (7.9)	.188 (4.8)	55	10,000		
GRO018061A		.063 (1.6)	.125 (3.2)	.313 (7.9)	.250 (6.4)				
GRO023041A	.234 (6.0)	.047 (1.2)	.125 (3.2)	.344 (8.7)	.156 (4)	43			
GRO025031A	.250 (6.4)	.031 (.8)	.156 (4)	.375 (9.5)	.156 (4)				
GRO025061A		.063 (1.6)	.156 (4)	.375 (9.5)	.250 (6.4)	55			
GRO025062A		.063 (1.6)	.188 (4.8)	.375 (9.5)	.281 (7.1)			43	
GRO025121A		.125 (3.2)	.156 (4)	.375 (9.5)	.313 (7.9)				
GRO028091A	.281 (7.1)	.094 (2.4)	.188 (4.8)	.438 (11.1)	.281 (7.1)	55		10,000	
GRO031031A	.313 (7.9)	.031 (.8)	.188 (4.8)	.438 (11.1)	.188 (4.8)				
GRO031041A		.047 (1.2)	.219 (5.6)	.438 (11.1)	.156 (4)	43			
GRO031061A		.063 (1.6)	.219 (5.6)	.438 (11.1)	.219 (5.6)				
GRO031121A		.125 (3.2)	.125 (3.2)	.438 (11.1)	.313 (7.9)				
GRO037041A	.375 (9.5)	.047 (1.2)	.281 (7.1)	.563 (14.3)	.188 (4.8)	55	10,000		
GRO037061A		.063 (1.6)	.250 (6.4)	.563 (14.3)	.250 (6.4)				
GRO037091A		.094 (2.4)	.250 (6.4)	.563 (14.3)	.281 (7.1)				
GRO040061A	.406 (10.3)	.063 (1.6)	.281 (7.1)	.563 (14.3)	.156 (4)				8,000
GRO043061A	.438 (11.1)	.063 (1.6)	.313 (7.9)	.563 (14.3)	.188 (4.8)				
GRO046071A	.469 (11.9)	.078 (2.0)	.375 (9.5)	.688 (17.5)	.266 (6.8)				
GRO050061A	.500 (12.7)	.063 (1.6)	.375 (9.5)	.688 (17.5)	.281 (7.1)				
GRO050121A		.125 (3.2)	.313 (7.9)	.625 (15.9)	.313 (7.9)				
GRO050122A		.125 (3.2)	.375 (9.5)	.688 (17.5)	.344 (8.7)				
GRO056061A	.563 (14.3)	.063 (1.6)	.438 (11.1)	.750 (19.1)	.250 (6.4)			8,000	
GRO062031A	.625 (15.9)	.031 (.8)	.438 (11.1)	.750 (19.1)	.375 (9.5)				
GRO062041A		.047 (1.2)	.500 (12.7)	.813 (20.6)	.281 (7.1)				
GRO068031A	.688 (17.5)	.031 (.8)	.563 (14.3)	.875 (22.2)	.281 (7.1)				
GRO068061A		.063 (1.6)	.500 (12.7)	.875 (22.2)	.250 (6.4)				
GRO068062A		.063 (1.6)	.563 (14.3)	.875 (22.2)	.188 (4.8)				
GRO068121A		.125 (3.2)	.500 (12.7)	.875 (22.2)	.313 (7.9)				
GRO075061A	.750 (19.1)	.063 (1.6)	.625 (15.9)	.875 (22.2)	.219 (5.6)				
GRO075062A		.063 (1.6)	.629 (16)	.938 (23.8)	.188 (4.8)				
GRO081041A	.813 (20.6)	.047 (1.2)	.625 (15.9)	1.063 (27.0)	.313 (7.9)	4,000			
GRO087121A	.875 (22.3)	.125 (3.2)	.625 (15.9)	1.063 (27.0)	.375 (9.5)				
GRO100041A	1.000 (25.4)	.047 (1.2)	.750 (19.1)	1.250 (31.8)	.297 (7.5)	2,000			
GRO100061A		.063 (1.6)	.750 (19.1)	1.250 (31.8)	.313 (7.9)				
GRO100062A		.063 (1.6)	.875 (22.2)	1.250 (31.8)	.313 (7.9)	4,000			
GRO100121A		.125 (3.2)	.750 (19.1)	1.250 (31.8)	.375 (9.5)				
GRO125031A	1.250 (31.8)	.031 (.8)	1.000 (25.4)	1.750 (44.5)	.250 (6.4)	2,000			
GRO125061A		.063 (1.6)	1.000 (25.4)	1.500 (38.1)	.297 (7.5)				
GRO125121A		.125 (3.2)	1.000 (25.4)	1.500 (38.1)	.359 (9.1)				
GRO150061A	1.500 (38.1)	.063 (1.6)	1.250 (31.8)	1.813 (46)	.375 (9.5)	1,000			
GRO150121A		.125 (3.2)	1.250 (31.8)	1.813 (46)	.438 (11.1)				
GRO175061A	1.750 (44.5)	.063 (1.6)	1.500 (38.1)	2.000 (50.8)	.375 (9.5)	1,000			
GRO175121A		.125 (3.2)	1.500 (38.1)	2.000 (50.8)	.375 (9.5)				
GRO200061A	2.000 (50.8)	.063 (1.6)	1.750 (44.5)	2.375 (60.3)	.406 (10.3)	500			
GRO200121A		.125 (3.2)	1.750 (44.5)	2.375 (60.3)	.469 (11.9)				